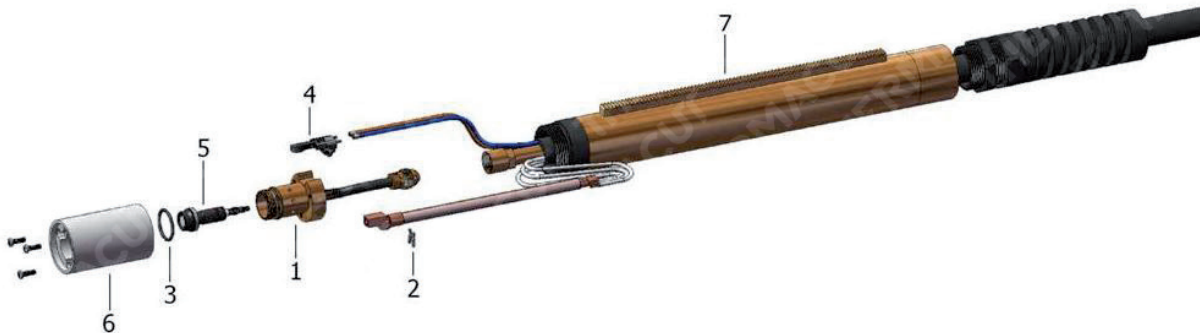


**THERMACUT® REPLACEMENT PARTS SUITABLE FOR
Hypertherm®
POWERMAX® 1000 / POWERMAX® 1250
T60M™/T80M™ MACHINE TORCH**



Item	Part No.	Ref. No.	Description	Std. Pkg.	Item	Part No.	Ref. No.	Description	Std. Pkg.
1.	T-10319	128640-UR	T60M™/T80M™ Torch Body Kit (incl. items 1, 2, 3, 5)	1	*5.	T-10253*	128521-UR	T60™, T80™/T60M™, T80M™ Torch Head Repair Kit	1
2.	T-10237	027889 OEM	Retaining Clip	1	*6.	PT-12161*	128643-UR	Torch Mounting Sleeve Replacement Kit with Screws	1
3.	T-4510	058519	O-Ring	1	7.	T-12159	128710	Torch Positioning Sleeve	1
4.	T-10615	128639-UR	TMT Cap-off Sensor Replacement Kit with Screws	1					

**THERMACUT® REPLACEMENT PARTS SUITABLE FOR
POWERMAX® 1000 / POWERMAX® 1250
T60™/T80™ HAND TORCH**



Item	Part No.	Ref. No.	Description	Std. Pkg.	Item	Part No.	Ref. No.	Description	Std. Pkg.
1.	T-10281	128564-UR	T60™/T80™ Torch Body Kit (incl. items 1, 2, 3, 5)	1	⊕ 6.	T-10623 ⊕	128644-UR	TMT Handle Kit with Screws	1
2.	T-10237	027889 OEM	Retaining Clip	1	⊕ 7.	T-10849 ⊕	T-10849	Trigger + Switch	1
3.	T-4510	058519	O-Ring	1	4.-7.	T-10838	T-10838	T60™/T80™/T100™ Handle Repl. Assy	1
⊕ 4.	T-10615 ⊕	128639-UR	TMT Cap-off Sensor Replacement Kit with Screws	1	1.-7.	T-10839	T-10839	T60™/T80™ Torch + Handle Repl. Assy	1
5.	T-10253	128521-UR	T60™, T80™/T60M™, T80M™ Torch Head Repair Kit	1	1.-5.	T-10846	T-10846	T80™ Torch Body + Cap Sensor	1

* FULLY INTERCHANGEABLE AND COMPATIBLE WITH ORIGINAL PARTS, BUT DIFFERS FROM ORIGINAL DESIGN

⊕ MUST BE USED ONLY AS A SET OF ITEMS 4, 6, 7, THIS COMPLETE SET IS INTERCHANGEABLE AND COMPATIBLE WITH ORIGINAL PARTS

Last update of this page: 10/10/2018. See Revision history for details.

THERMACUT®
THE CUTTING COMPANY

WWW.THERMACUT.CZ
TEL.: +420 556 423 418
SALES@THERMACUT.CZ

WWW.THERMACUT.DE
TEL.: +49 (0) 27 39 40 33 0
INFO@THERMACUT.DE

WWW.THERMACUT.COM
TEL.: 1-603-542-6715
CUSTOMERSERVICE@THERMACUT.COM

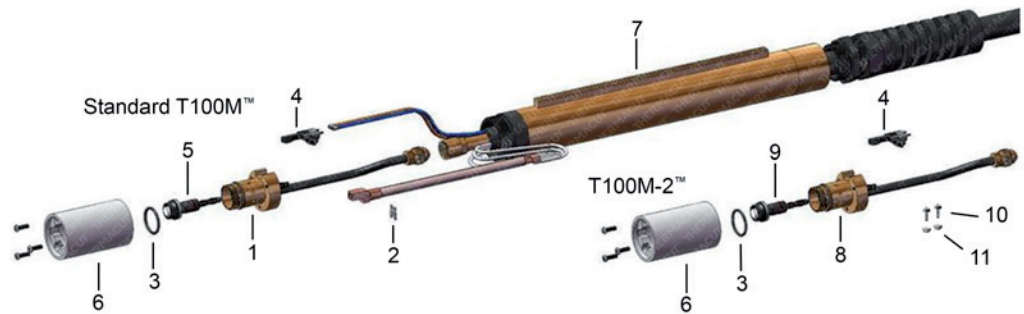
THERMACUT®, THE CUTTING COMPANY®, FHT-EX®, EX-TRAFIRE®, EX-TRACK®, EX-TRABEAM® AND EX-TRAFLEAME® ARE REGISTERED TRADEMARKS OF THERMACUT, K.S. AND MAY BE REGISTERED IN CZECH REPUBLIC AND/OR OTHER COUNTRIES. ALL OTHER TRADEMARKS ARE PROPERTIES OF THEIR RESPECTIVE OWNERS. THERMACUT IS NO WAY AFFILIATED WITH Hypertherm®.
MOST THERMACUT PARTS ARE MADE FOR OR BY AN IBC COMPANY. PARTS INDICATED WITH A OEM ARE ORIGINAL PARTS MANUFACTURED BY THE ABOVE NAMED MANUFACTURER AND ARE BEING RESOLD BY THERMACUT. THERMACUT RESERVES THE RIGHT TO SUBSTITUTE OEM PARTS IN PLACE OF THERMACUT PARTS.
VALID FROM NOVEMBER 2020 • PREVIOUS VERSION IS NO LONGER VALID. • © COPYRIGHT 2020 BY THERMACUT® CZECH REPUBLIC. ALL RIGHTS RESERVED.

**THERMACUT® REPLACEMENT PARTS SUITABLE FOR
Hypertherm®
POWERMAX® 1650
T100M™, T100M-2™ MACHINE TORCH**

T100M™ back view



T100M-2™ back view



Item	Part No.	Ref. No.	Description	Std. Pkg.	Item	Part No.	Ref. No.	Description	Std. Pkg.
1.	T-10446	128754-UR	T100M™ Torch Body Kit (incl. items 2, 3, 5)	1	7.	T-12159	128710	Torch Positioning Sleeve	1
2.	T-10237	027889 OEM	Retaining Clip	1	1.-5.	T-10847	T-10847	T100M™ Torch Body + Cap Sensor	1
3.	T-4510	058519	O-Ring	1	NEW *8.	T-11291	228523-UR	T100M-2™ Torch Body Kit (incl. items 3, 9, 10, 11)	1
4.	T-10615	128639-UR	TMT Cap-off Sensor Replacement Kit with Screws	1	NEW *9.	T-11292	228522-UR	T100M-2™ Torch Head Repair Kit	1
5.	T-10473	128768-UR	T100™/T100M™ Torch Head Repair Kit	1	NEW 10.	T-11344	075473	Machine Screws	2
6.	PT-12161	128643-UR	Torch Mounting Sleeve Replacement Kit with Screws	1	NEW 11.	T-11345	075503	Lock Nuts	2

**THERMACUT® REPLACEMENT PARTS SUITABLE FOR
POWERMAX® 1650
T100™ HAND TORCH**



Item	Part No.	Ref. No.	Description	Std. Pkg.	Item	Part No.	Ref. No.	Description	Std. Pkg.
1.	T-10444	128767-UR	T100™ Torch Body Kit (incl. items 2, 3, 5)	1	6.	T-10623	128644-UR	TMT Handle Kit with Screws	1
2.	T-10237	027889 OEM	Retaining Clip	1	7.	T-10849	T-10849	Trigger + Switch	1
3.	T-4510	058519	O-Ring	1	4.-7.	T-10838	T-10838	T60™/T80™/T100™ Handle Repl. Assy	1
4.	T-10615	128639-UR	TMT Cap-off Sensor Replacement Kit with Screws	1	1.-7.	T-10840	T-10840	T100™ Torch Handle Repl. Assy	1
5.	T-10473	128768-UR	T100™/T100M™ Torch Head Repair Kit	1	1.-5.	T-10848	T-10848	T100™ Torch Body + Cap Sensor	1

* FULLY INTERCHANGEABLE AND COMPATIBLE WITH ORIGINAL PARTS, BUT DIFFERS FROM ORIGINAL DESIGN

⊕ MUST BE USED ONLY AS A SET OF ITEMS 4, 6, 7, THIS COMPLETE SET IS INTERCHANGEABLE AND COMPATIBLE WITH ORIGINAL PARTS

Last update of this page: 28/02/2014. See Revision history for details.

THERMACUT®
THE CUTTING COMPANY™

WWW.THERMACUT.CZ
TEL.: +420 556 423 418
SALES@THERMACUT.CZ

WWW.THERMACUT.DE
TEL.: +49 (0) 27 39 40 33 0
INFO@THERMACUT.DE

WWW.THERMACUT.COM
TEL.: 1-603-542-6715
CUSTOMERSERVICE@THERMACUT.COM

THERMACUT®, THE CUTTING COMPANY®, FHT-EX®, EX-TRAFIRE®, EX-TRACK®, EX-TRABEAM® AND EX-TRAFAME® ARE REGISTERED TRADEMARKS OF THERMACUT, K.S. AND MAY BE REGISTERED IN CZECH REPUBLIC AND/OR OTHER COUNTRIES. ALL OTHER TRADEMARKS ARE PROPERTIES OF THEIR RESPECTIVE OWNERS. THERMACUT IS NO WAY AFFILIATED WITH Hypertherm®.
MOST THERMACUT PARTS ARE MADE FOR OR BY AN IBC COMPANY. PARTS INDICATED WITH A OEM ARE ORIGINAL PARTS MANUFACTURED BY THE ABOVE NAMED MANUFACTURER AND ARE BEING RESOLD BY THERMACUT. THERMACUT RESERVES THE RIGHT TO SUBSTITUTE OEM PARTS IN PLACE OF THERMACUT PARTS.
VALID FROM NOVEMBER 2020 • PREVIOUS VERSION IS NO LONGER VALID. • © COPYRIGHT 2020 BY THERMACUT® CZECH REPUBLIC. ALL RIGHTS RESERVED.