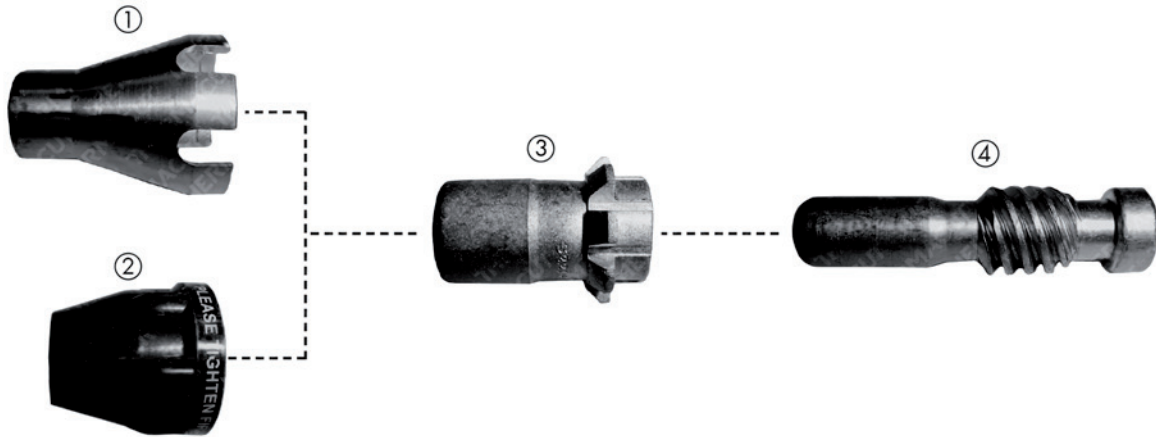


REPLACEMENT PARTS SUITABLE FOR LINCOLN ELECTRIC®

PRO-CUT® 25/55/80
PCT20/80



Item	Part No.	Ref. No.	Description	System	Std. Pkg	Item	Part No.	Ref. No.	Description	System	Std. Pkg.
1.	T-2960	KP2065-1	Drag Cup	25, 55, 80	1	T-3544	KP2062-3B1		Nozzle .053	80	5
2.	T-11538	KP2064-1	Shield Cup	25, 55, 80	1	T-2980	KP2062-4B1		Nozzle, Gouging, .068	55, 80	5
3.	T-3536	KP2062-1B1	Nozzle .028	25	5	T-4194	KP2062-5B1		Nozzle, Gouging .082	80	5
	T-11537	KP2062-2B1	Nozzle .043	55, 80	5	4.	T-11536	KP2063-1B1	Electrode	25, 55, 80	5

Last update of this page: 17/11/2015. See Revision history for details.

THERMACUT®
THE CUTTING COMPANY

WWW.THERMACUT.CZ
TEL.: +420.556 423 418
SALES@THERMACUT.CZ

WWW.THERMACUT.DE
TEL.: +49 (0) 27 39 40 33 0
INFO@THERMACUT.DE

WWW.THERMACUT.COM
TEL.: 1-603-542-6715
CUSTOMERSERVICE@THERMACUT.COM

THERMACUT®, FHT-EX® AND EX-TRAFIRE® ARE REGISTERED TRADEMARKS OF THERMACUT S. R. O. AND MAY BE REGISTERED IN CZECH REPUBLIC AND/OR OTHER COUNTRIES. ALL OTHER TRADEMARKS ARE PROPERTIES OF THEIR RESPECTIVE OWNERS. THERMACUT IS NO WAY AFFILIATED WITH LINCOLN ELECTRIC®. MOST THERMACUT PARTS ARE MADE FOR OR BY AN IBG COMPANY. PARTS INDICATED WITH A OEM ARE ORIGINAL PARTS MANUFACTURED BY THE ABOVE NAMED MANUFACTURER AND ARE BEING RESOLD BY THERMACUT. THERMACUT RESERVES THE RIGHT TO SUBSTITUTE OEM PARTS IN PLACE OF THERMACUT PARTS.
VALID FROM JUNE 2016 • PREVIOUS VERSION IS NO LONGER VALID. • © COPYRIGHT 2016 BY THERMACUT® CZECH REPUBLIC. ALL RIGHTS RESERVED.